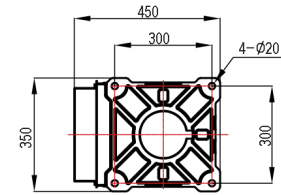
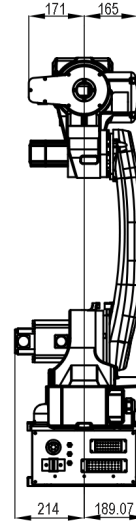
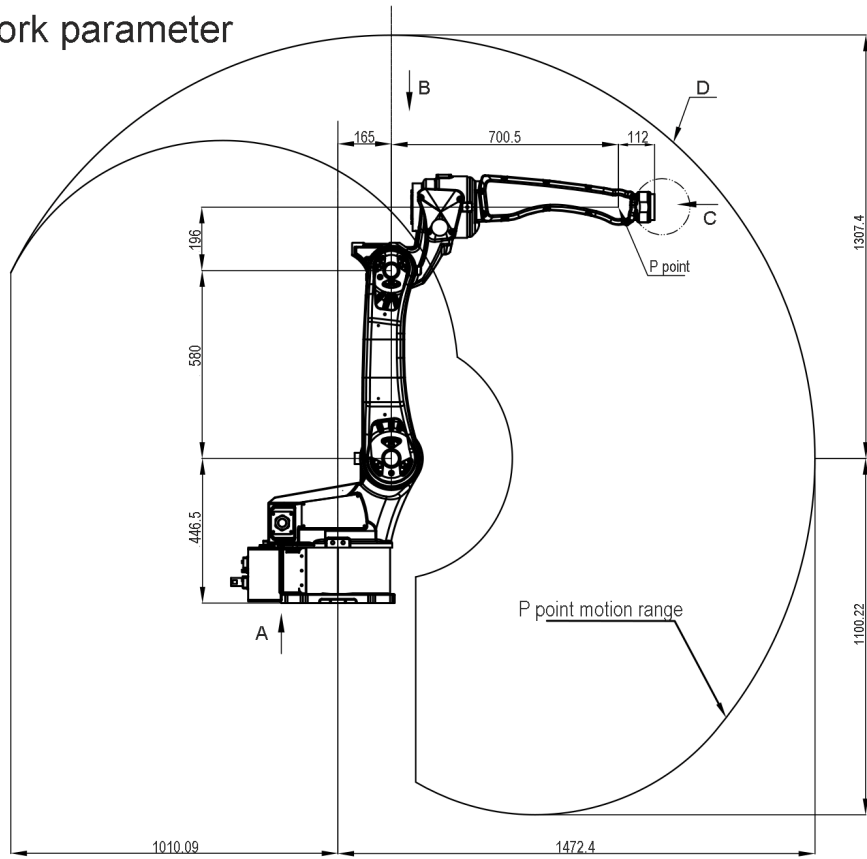
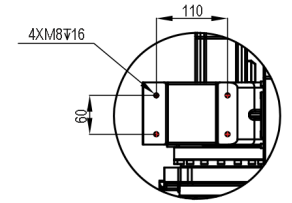


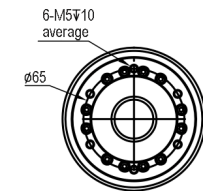
# ▷ BR-1510B work parameter



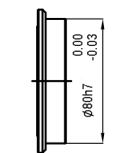
VIEW A



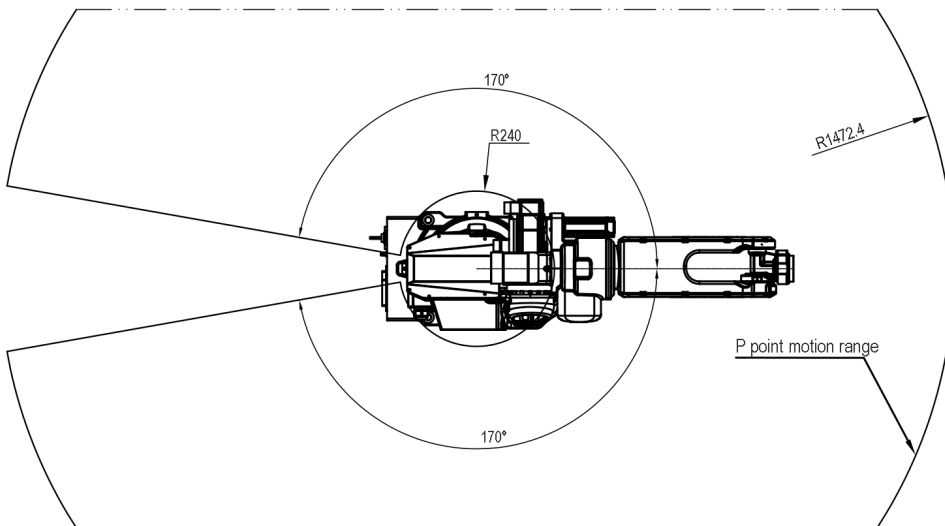
VIEW B



VIEW C



VIEW D



Model	BR-1510B	Motion Range	J1	±170°	Motion Speed	J1	259.3° /s
Axis	6		J2	+64° ~ -130°		J2	160° /s
Reach(about)	1500mm		J3	±75°		J3	198.3° /s
Max Payload	10KG		J4	±150°		J4	294.1° /s
Repeatability	±0.08mm		J5	+125° ~ -105°		J5	207.4° /s
Power Capacity	2KVA		J6	±360°		J6	205.9° /s
Protection Class	IP65	Installation Method	Ground,hanging				
Robot Weight	172KG	Use Environment	0-45°C,20-80%RH(No condensation)				
Function	handling welding	Input Voltage	Single-phase 220V ± 10% 50/60Hz				